

# BL 1200 – SORT CONNECT

Connecting the bulk sorter to integrated systems or analyzer lines



Automatic transfer of samples  
from the bulk loader to the analyzer line

Bulk loader module – identifies tube type and accessions samples

Sorter module(s) – sorts samples into racks

SORT CONNECT module – transfer of samples to the laboratory line



The bulk loader module can be used to identify tube types and to accession samples.

The tubes are fed in conveniently in bulk, without the need for pre-racking.



Tubes destined for processing in another location can be sorted into bins for space-saving transportation.



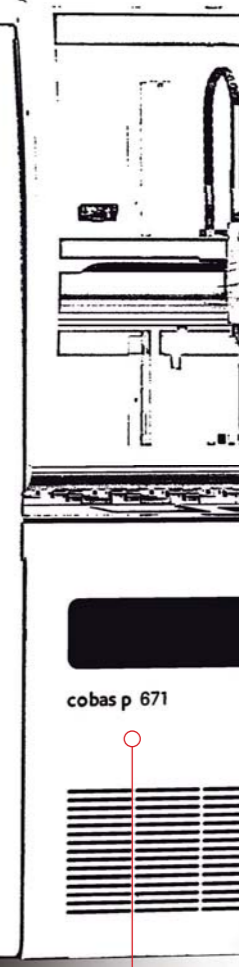
Samples not destined for the laboratory line are separated out here, placed into racks and made available for manual extraction.



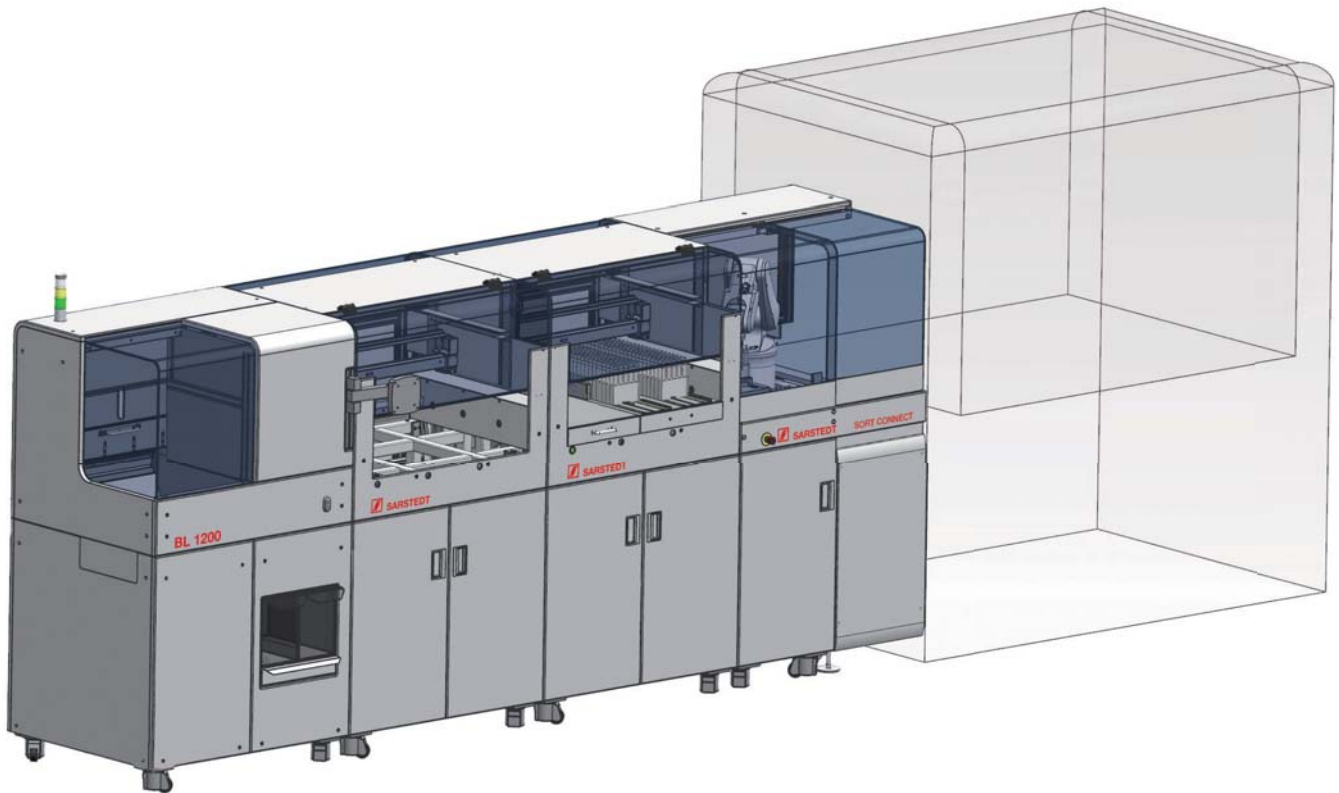
On sorter 2, tubes are placed into previously prepared system racks for the laboratory line. Partially filled racks are automatically completed with balancing tubes for centrifugation.



At the SORT CONNECT module, the robot arm transfers system racks from the bulk sorter to the laboratory line.



Universal connection to a laboratory line or integrated system, e.g. cobas p 671.



## Summary of benefits

- SORT CONNECT – bulk feeding of samples with universal connection to laboratory lines
- Process optimization, with pre-sorting and separation of tubes not destined for testing on the line
- Partially filled racks are automatically completed with balancing tubes for centrifugation
- Sample accessioning
- Intelligent sample tracing where test order is missing
- Freely configured sorter platforms
- Automatic distribution to all common analyzer rack types or into bins
- Modular design enables a range of configurations
- Can handle a large number of different tube types

## Technical information

Load capacity:	approx. 600 tubes
Throughput:	up to 1200 tubes/hr
Tube types:	length (inc. cap) 75–120 mm diameter (inc. cap) 11–19 mm
Sorting:	according to LIS or individual rules
Dimensions: (W x D x H)	Bulk loader module: 880x757x153 mm Sorter module: 869x757x153 mm SORT CONNECT module: 832x1074x153 mm
Weight:	Bulk loader module: approx. 250 kg Sorter module: approx. 200 kg SORT CONNECT module: approx. 110 kg
Power supply:	230 V/50 Hz 115 V/60 Hz
Connection:	The connection to a laboratory line is configured for the specific system and may differ from this illustration.

SARSTEDT, Inc.  
1025 St. James Church Road  
P.O. Box 468  
Newton, NC 28658 - 0468  
Toll free: +1 800 257 5101  
Fax: +1 828 465 4003  
customerservice.us@sarstedt.com  
www.sarstedt.com